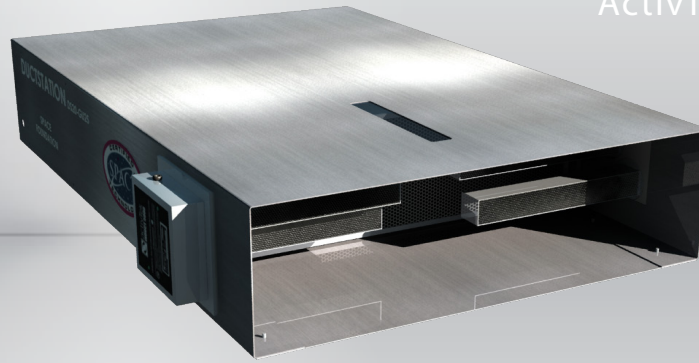




ActivTek DUCSTATION GU



INDUSTRIAL UNIT
(stainless steel)

| DUCSTATION | D10-GU25 UE52200es | D15-GU25 UE52375es | D20-GU25 UE52500es |
|------------------------------------|----------------------|-----------------------|-----------------------|
| Electrical Specifications | | | |
| tension/voltage | 220v/240v - 50/60 | 220v/240v - 50/60 | 220v/240v - 50/60 |
| consumption (W) | 110 | 115 | 115 |
| Operating temperature | | | |
| minimum ambient temperature | -10° | -10° | -10° |
| maximum ambient temperature | 80° | 80° | 80° |
| Noise | | | |
| maximum noise level | 38db | 38db | 38db |
| Air flow | | | |
| maximum air flow output (m³/h) | 1510 | 1510 | 1510 |
| Heterogeneous Fotocatalysis - RCI™ | | | |
| Induct 5000 | | 1 | |
| Induct 10000 | 1 | 1 | 2 |
| Treatment capacity* | | | |
| Area/Volume | 175 m²/ 490 m³ | 525 m²/ 1470 m³ | 700 m²/ 1960 m³ |
| Air flow m³/h - l/s | 6540 m³/h - 1809 l/s | 18314 m³/h - 5066 l/s | 23548 m³/h - 6514 l/s |
| Air flow CFM | 3850 CFM | 10780 CFM | 13860 CFM |

design for HVAC systems*

International Electrotechnical Commission



IEC 60335-1: 2001
IEC 60335-2-65: 2002



especificaciones especiales

| DUCSTATION Series GU | D10-GU25 | D15-GU25 | D20-GU25 |
|------------------------------|---------------------------------|---------------------------------|-----------------------------------|
| filtration (all models) | ActivFilters V-Bank | VOC's TriCompund Filter | HEPA multidihedral (H13 Efficacy) |
| variable frequency drive VFD | optional | optional | optional |
| electromechanical step relay | 16A/250 V CA | 16A/250 V CA | 16A/250 V CA |
| weight | 28 kilograms | 31 kilograms | 33 kilograms |
| dimensions | 1200 cm L x 850 cm W x 250 cm H | 1200 cm L x 850 cm W x 250 cm H | 1200 cm L x 850 cm W x 250 cm H |

Coils and air-mixing boxes not included in DSeries models

The DuctStation GU25, is specially designed to be installed at ducting and HVAC systems in new or under remodelation buildings. Allows intallation above false ceilings even when narrow space is available

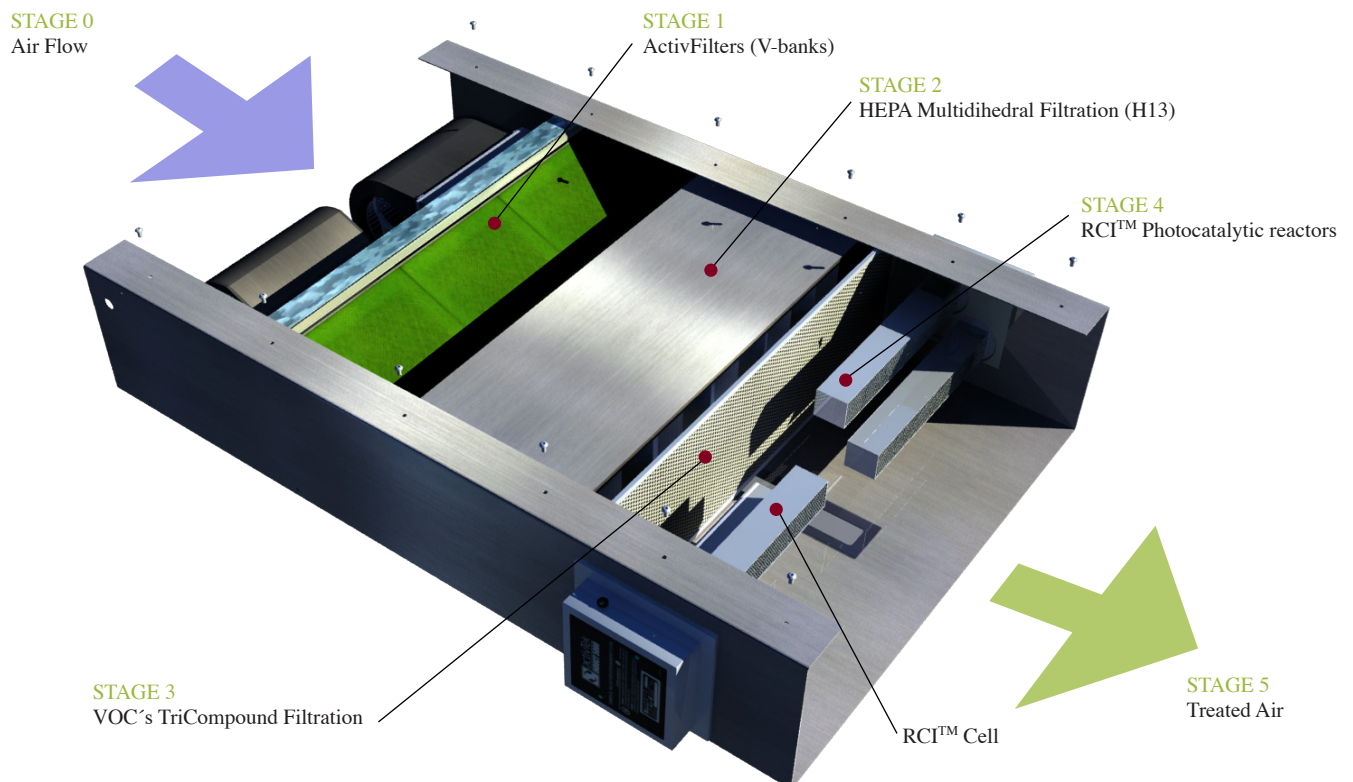
sectors list

- | | | |
|---|---|--|
| <input checked="" type="checkbox"/> Banking | <input type="checkbox"/> Catering | <input checked="" type="checkbox"/> Industrial |
| <input checked="" type="checkbox"/> Food | <input type="checkbox"/> Leisure | <input checked="" type="checkbox"/> Education |
| <input checked="" type="checkbox"/> Transport | <input type="checkbox"/> Buildings | <input checked="" type="checkbox"/> Hotel |
| <input type="checkbox"/> Residential | <input type="checkbox"/> Home | <input type="checkbox"/> Press Media |
| <input type="checkbox"/> Agropecuary | <input checked="" type="checkbox"/> Sport Centers | <input type="checkbox"/> Militar |
| <input checked="" type="checkbox"/> Hospitals | <input type="checkbox"/> Shopping Centers | <input checked="" type="checkbox"/> Art |

instalation details

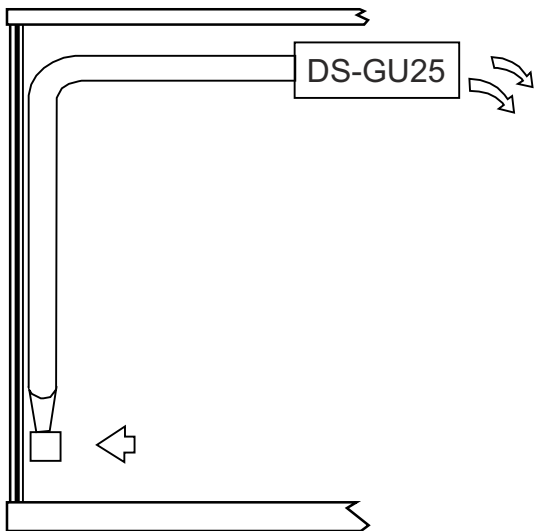
The DuctStation GU25, can be installed at ventilation ducting systems to reduce and/or reinforce outside supply air by recirculating already treated and purified internal air through the unit.

- Installed following HVAC schematic intallation instructions and complying with current regulations.
- Intallation to be made only by authorized and professional installers.

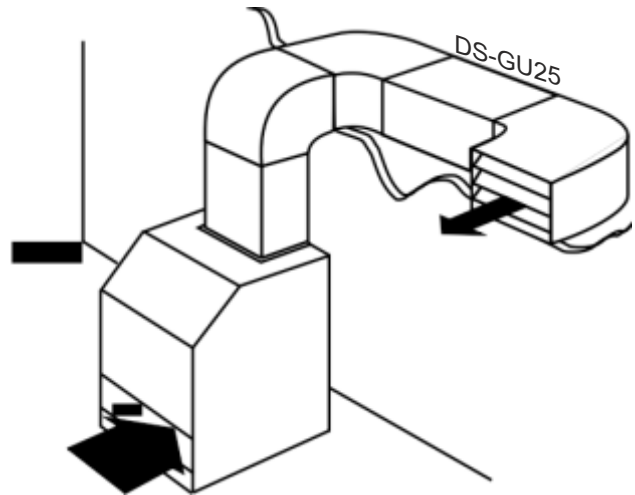


Authorized Dealer:

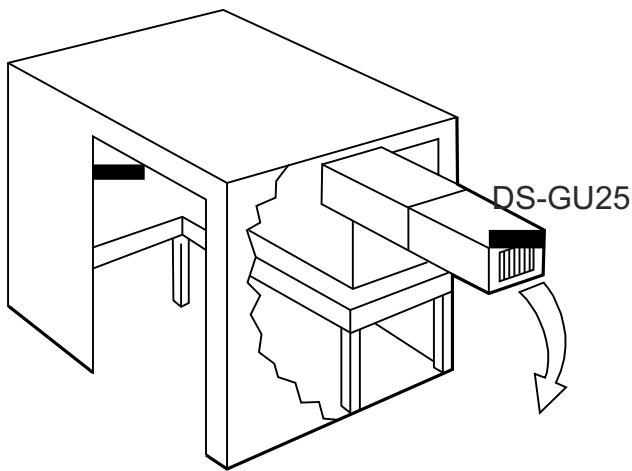
Installation examples



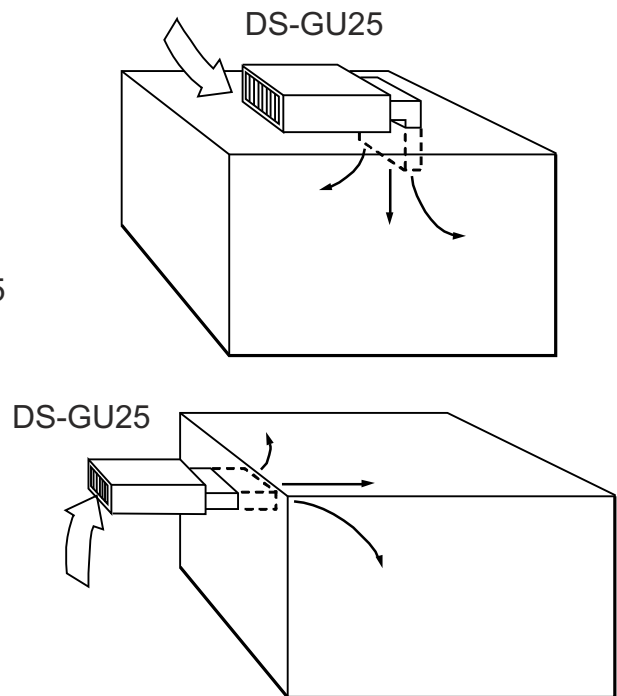
Positioning an air purifier for vapor control in printing, brazing, soldering or glue shops.



Positioning an air purifier to recirculate existing exhaust system air which contains light to medium quantities of pollutants.



Positioning an air purifier to create a negative pressure booth that contains a contamination generating process.



Positioning an air purifier to create positive pressure for plant satellite office.

